

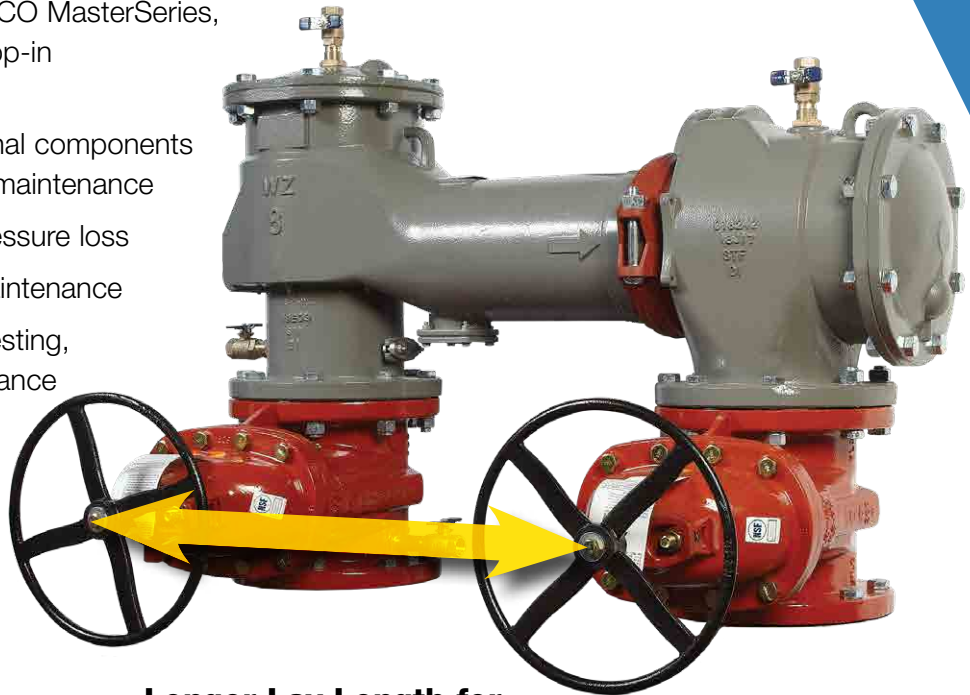
MasterSeries® Type W/WZ

Extended Lay Length N- and Z-pattern Backflow Preventers for Retrofit Applications

The same quality and reliability of FEBCO MasterSeries, but with new lay lengths that allow drop-in replacement of older valves.

- Investment-cast stainless steel internal components for extended valve life and reduced maintenance
- Superior check design to reduce pressure loss
- Captured springs for easy check maintenance
- Type II bypass detectors for faster testing, lower head loss, and easier maintenance
- W/WZ models available from 4" to 10"

Investment-cast stainless steel check with captured spring



Longer Lay Length for Drop-in Replacements

Put Some Armor On It

ArmorTek® advanced coating system

is a patented, three-pronged approach to corrosion protection. Each layer is field-tested and proven to slow the spread of corrosion while prohibiting the growth of the bacteria that can cause MIC and limiting tubercles that can clog or foul downstream equipment.



1: Anticorrosion primer



2: Microbial inhibitor

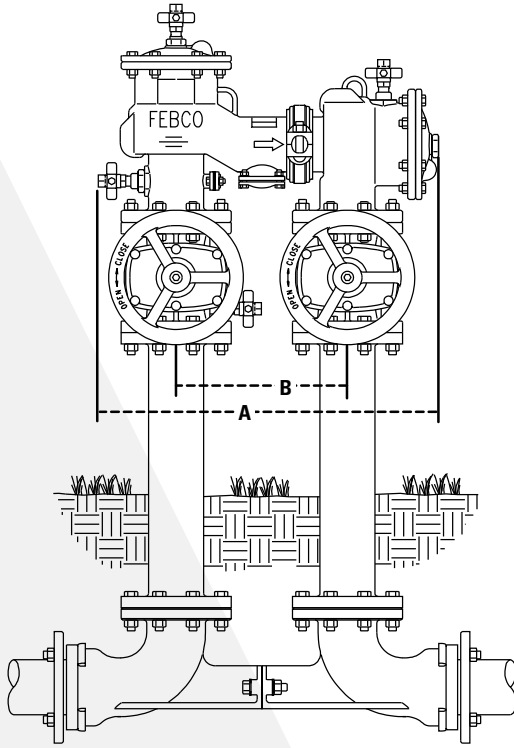


3: Robust topcoat

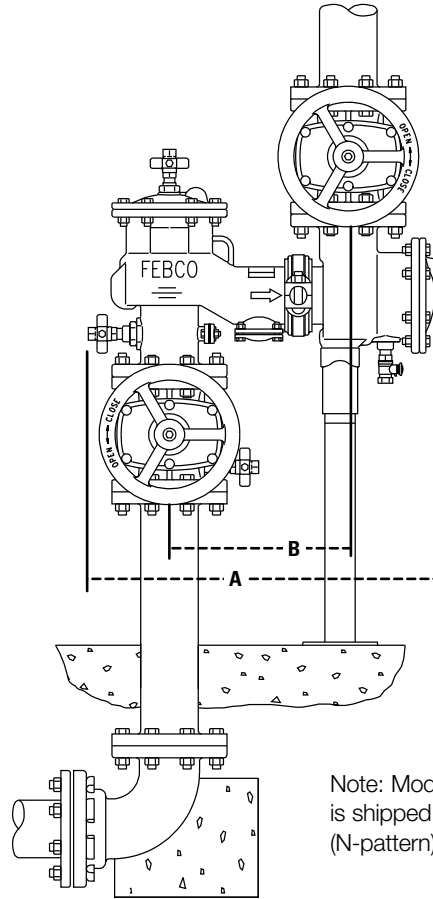
Dimensions

Below are the nominal lay lengths for Model LF870W/WZ, sizes 4" to 10". Allowances must be made for normal manufacturing tolerances. Visit watts.com to download installation instructions, or contact your local FEBCO representative for more information.

Model LF870W Standard N-pattern Orientation



Model LF870WZ Vertical Z-pattern Orientation



Note: Model LF870W/WZ is shipped in the standard (N-pattern) orientation.

Assemblies 4" to 10" available in the following models.

| TYPE | N PATTERN | Z PATTERN |
|------------------------------------|-----------|-----------|
| Double Check Assembly | LF870W | LF870WZ |
| Double Check Detector Assembly | LF876W | LF876WZ |
| Reduced Pressure Zone Assembly | LF880W | LF880WZ |
| Reduced Pressure Detector Assembly | LF886W | LF886WZ |

Models LF880W/WZ and LF886W/WZ include a flood sensor on the relief valve for flood detection. (Add-on connection kit required for sensor activation.) When excessive discharge occurs, the sensor energizes a relay signaling flood detection and triggers real-time notification of potential flood conditions. Compatible with BMS and cellular network communication.

| SIZE | DIMENSIONS | | | | | | | |
|------|----------------------------------|------|----------------------------------|------|----------------------------------|-----|----------------------------------|-----|
| | A (W) | | A (Z) | | B (W) | | B (Z) | |
| in. | in. | mm | in. | mm | in. | mm | in. | mm |
| 4 | 32 ³ / ₁₆ | 818 | 32 ¹³ / ₁₆ | 833 | 18 ⁵ / ₁₆ | 465 | 18 ¹⁵ / ₁₆ | 481 |
| 6 | 34 ¹⁵ / ₁₆ | 887 | 37 ¹ / ₄ | 946 | 18 ¹¹ / ₁₆ | 475 | 21 | 533 |
| 8 | 48 | 1219 | 49 ⁹ / ₁₆ | 1253 | 29 | 737 | 30 ⁵ / ₁₆ | 770 |
| 10 | 50 ¹ / ₁₆ | 1272 | 51 ¹ / ₁₆ | 1304 | 29 | 737 | 30 ⁵ / ₁₆ | 533 |

For full weights and dimensions, go to Watts.com.



A **WATTS** Brand