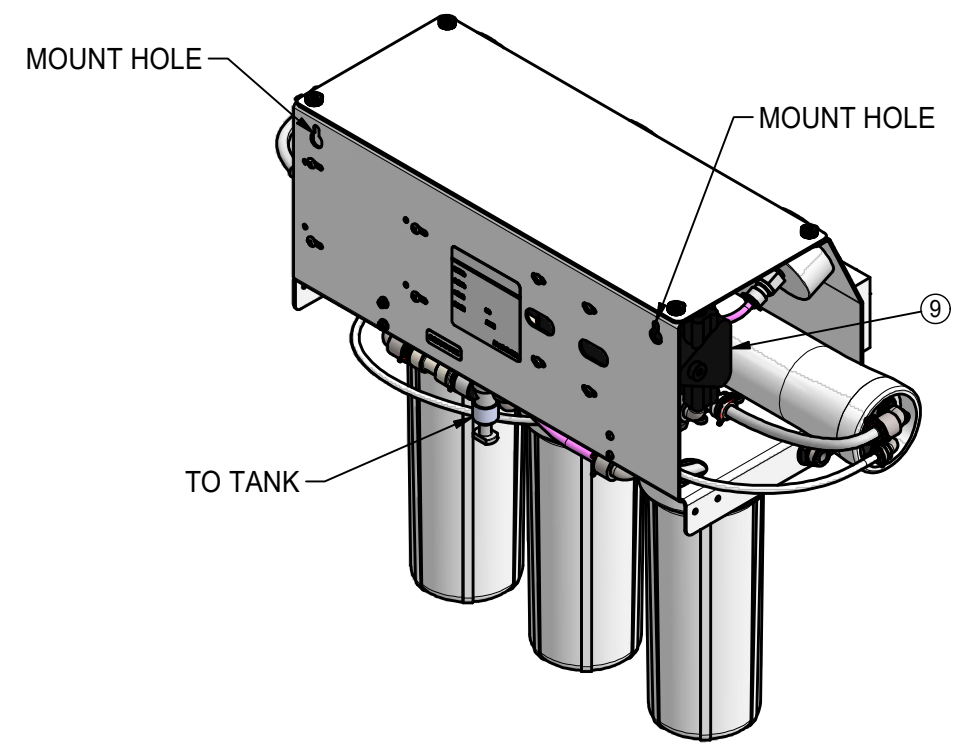
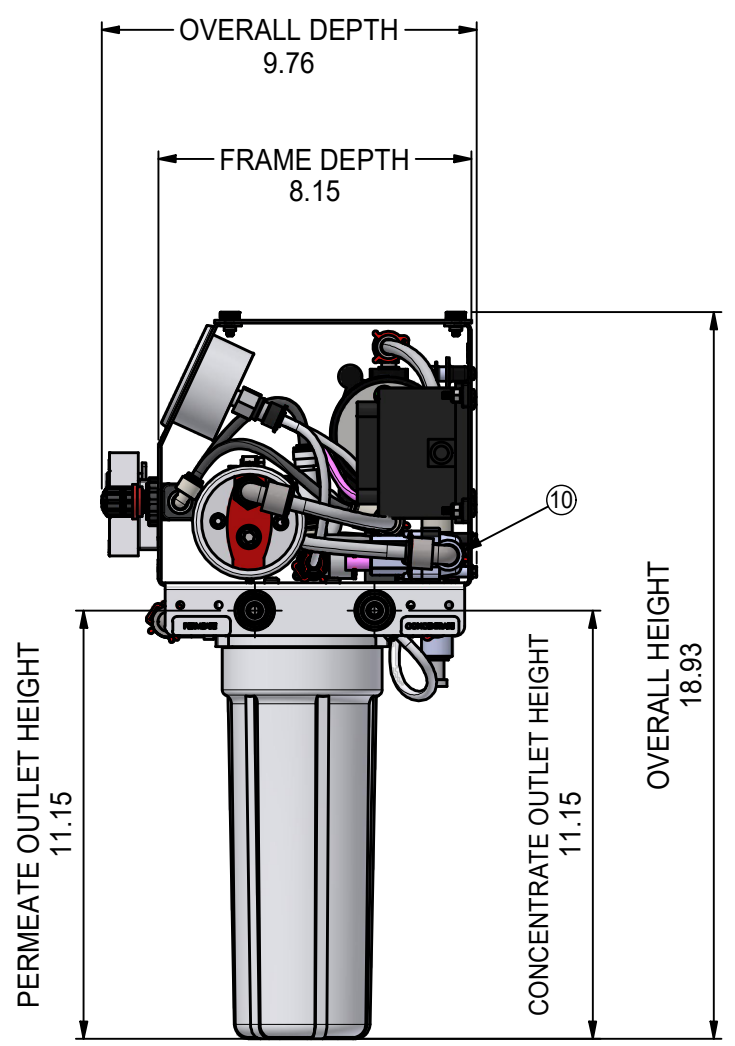
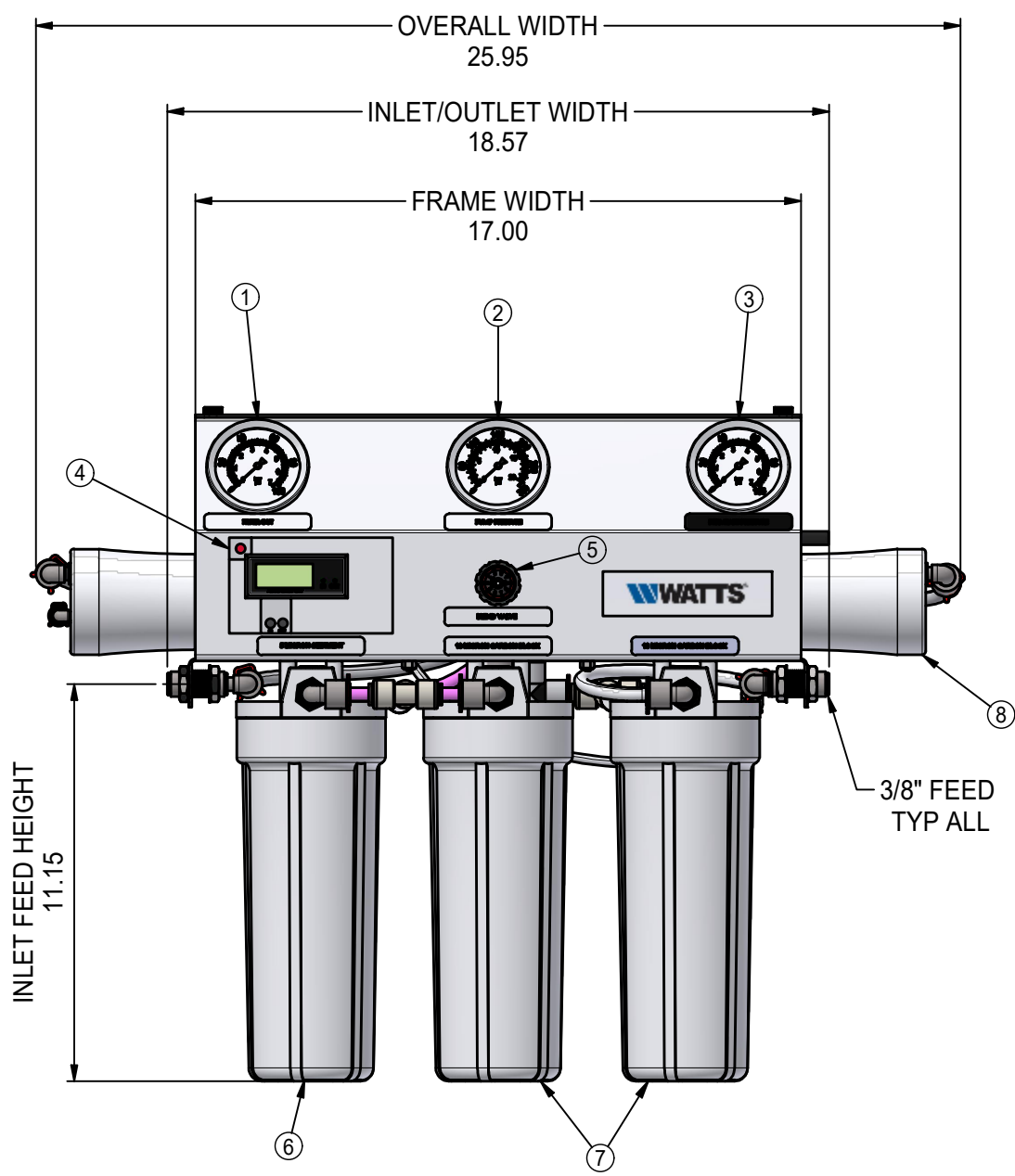


NOTES:
 1. ALL CALLOUTS ENCLOSED IN PARENTHESES () OR UNDERLINED ARE FOR REFERENCE ONLY.

ITEM NO.	DESCRIPTION	PART NO.
1	FILTER OUT PRESSURE GAUGE	
2	PUMP PRESSURE GAUGE	
3	PERMEATE PRESSURE GAUGE	
4	TDS MONITOR	
5	BLEND VALVE	
6	5 MICRON SEDIMENT FILTER	
7	10 MICRON CARBON BLOCK FILTER	
8	RO MEMBRANE HOUSING	
9	SYSTEM PUMP	
10	SOLENOID VALVE	



REAR ISOMETRIC VIEW - HOLE REFERENCE

FRONT VIEW

SIDE VIEW

1	INITIAL RELEASE	6/19/2025	OR
REV	DESCRIPTION	DATE	REV BY
REVISION HISTORY			

UNLESS OTHERWISE SPECIFIED		APPROVALS (CURRENT REVISION)		EDP NO.
1. DIMENSIONS ARE IN INCHES		renesoo		7101121
2. INTERPRET DIM. & TOL. PER ASME Y14.5M - 1994		DATE		LEGACY NO.
3. ALL SHEETS ARE SAME REVISION		6/19/2025		
4. DO NOT SCALE DRAWING		DATE		FORMAT
5. BREAK ALL SHARP EDGES AS REQ'D				INVENTOR
TOLERANCES ARE:		MATERIAL		
DECIMAL	ANGLES	OTHER		
.X ± 0.1	MACH FORMED ±2°			
.XX ± 0.03	±0° 30'			
.XXX ± 0.010				
COMMON AXIS 0.015 TIR	SURFACE FINISH 125 µIN RMS			



THIS DRAWING DISCLOSES CONFIDENTIAL AND PROPRIETARY DATA OWNED BY WATTS WATER TECHNOLOGIES, INC. AND MAY NOT BE USED OR DISCLOSED TO OTHERS WITHOUT THE PRIOR WRITTEN CONSENT OF WATTS WATER TECHNOLOGIES, INC.

TITLE		PWLC2521011	
SIZE	DWG NO.	REV	
B	7101121	1	
SCALE: NTS		SHEET 1 OF 1	