

Engineering Specification

Job Name _____
 Job Location _____
 Engineer _____
 Approval _____

Contractor _____
 Approval _____
 Contractor's P.O. No. _____
 Representative _____

OI-700 Oil Interceptor with Internal Storage Tank Specification

Watts OI-700 recessed or floor mounted epoxy coated steel oil interceptor with integral storage tank, gasketed epoxy coated steel skid-proof cover secured with hex head center bolt(s), deep seal trap with cleanout, draw-off connection and dual threaded vent connections, sediment bucket, integral stainless steel flow control plate, and no hub (standard) inlet/outlet connections.

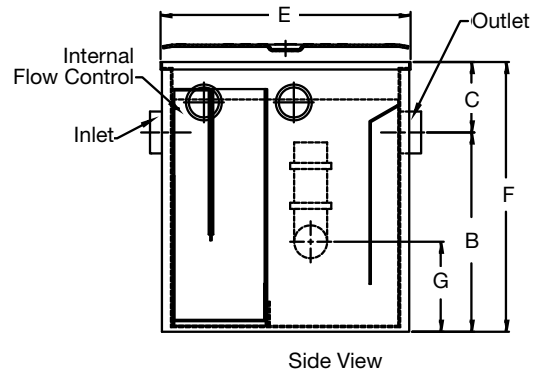
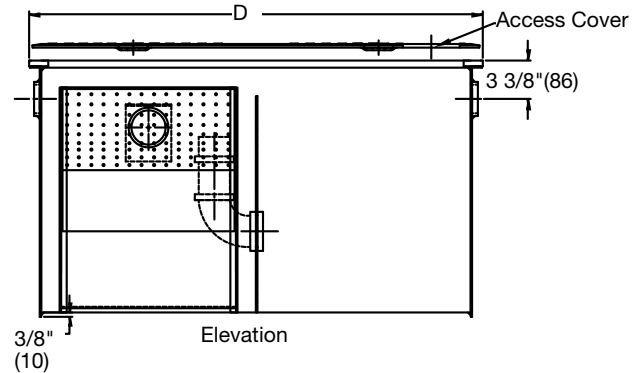
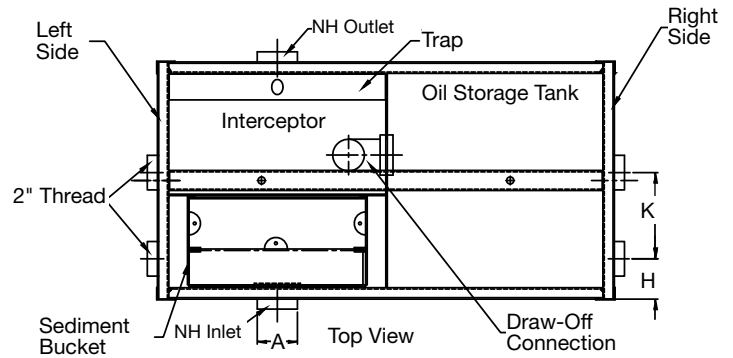
NOTICE

Check local plumbing code for oil storage requirement prior to installation.

Call customer service if you need assistance with technical details.

Flow Rate		
Suffix	Description	
10	10 GPM	<input type="checkbox"/>
15	15 GPM	<input type="checkbox"/>
20	20 GPM	<input type="checkbox"/>
25	25 GPM	<input type="checkbox"/>
35	35 GPM	<input type="checkbox"/>
50	50 GPM	<input type="checkbox"/>
75	75 GPM	<input type="checkbox"/>
100	100 GPM	<input type="checkbox"/>
150	150 GPM	<input type="checkbox"/>
200	200 GPM	<input type="checkbox"/>
250	250 GPM	<input type="checkbox"/>
300	300 GPM	<input type="checkbox"/>
350	350 GPM	<input type="checkbox"/>
400	400 GPM	<input type="checkbox"/>
450	450 GPM	<input type="checkbox"/>
500	500 GPM	<input type="checkbox"/>

Options		
Suffix	Description	
-DI	Dual Inlet	<input type="checkbox"/>
-E	Electronic	<input type="checkbox"/>
-F	Flange	<input type="checkbox"/>
-FC	Flange w/Membrane Clamp	<input type="checkbox"/>
-HDC	Heavy Duty Cover (1000 lbs.)	<input type="checkbox"/>
-O	Inlet & Outlet (other than Standard Size)	<input type="checkbox"/>
-SS	Stainless Steel	<input type="checkbox"/>
-THD	Threaded Connection	<input type="checkbox"/>
-X	Extension as Required	<input type="checkbox"/>
-XHD	Extra Heavy Duty (10,000 lbs.)	<input type="checkbox"/>



NOTICE

The information contained herein is not intended to replace the full product installation and safety information available or the experience of a trained product installer. You are required to thoroughly read all installation instructions and product safety information before beginning the installation of this product.

Watts product specifications in U.S. customary units and metric are approximate and are provided for reference only. For precise measurements, please contact Watts Technical Service. Watts reserves the right to change or modify product design, construction, specifications, or materials without prior notice and without incurring any obligation to make such changes and modifications on Watts products previously or subsequently sold.



Dimensional Chart

Model No.	Flow Rate GPM	Tank Capacity Gal.	Combined Volume Gal.	A Inlet & Outlet	B Base To Center	C Top To Center	D Length	E Width	F Height	G	H	K	J
0I-710	10	5	9	2"(51)	8.5"(216)	6"(152)	24"(610)	18"(457)	14.5"(368)	3"(76)	4.5"(114)	5.5"(140)	6"(152)
0I-715	15	14	26	2"(51)	12.5"(318)	6"(152)	33.75"(857)	20.875"(530)	18.5"(470)	5"(127)	4.5"(114)	7.5"(191)	9"(229)
0I-720	20	19	34	3"(76)	14.5"(368)	6"(152)	39.75"(1010)	20.875"(530)	20.5"(521)	6"(152)	4.5"(114)	7.5"(191)	10.4"(265)
0I-725	25	22	40	3"(76)	16.5"(419)	6"(152)	39.75"(1010)	20.875"(530)	22.5"(572)	7"(178)	4.5"(114)	7.5"(191)	10.5"(265)
0I-735	35	39	65	4"(102)	14.5"(368)	6"(152)	49.75"(1264)	32.875"(835)	20.5"(521)	6"(152)	12"(305)	6"(152)	13"(329)
0I-750	50	51	90	4"(102)	18.5"(470)	6"(152)	49.75"(1264)	32.875"(835)	24.5"(622)	8"(203)	12"(305)	6"(152)	13"(329)
0I-775	75	96	176	4"(102)	26.5"(673)	6"(152)	49.75"(1264)	40.875"(1038)	32.5"(826)	16"(406)	12"(305)	12"(305)	13"(329)
0I-7100	100	185	337	4"(102)	24"(610)	10"(254)	72"(1829)	54"(1372)	34"(864)	17.5"(445)	20"(508)	13"(330)	22.5"(572)
0I-7150	150	266	494	4"(102)	29"(737)	10"(254)	76"(1930)	60"(1524)	39"(991)	22.5"(572)	22"(559)	15"(381)	19"(483)
0I-7200	200	372	694	4"(102)	31"(787)	10"(254)	86"(2184)	69"(1735)	41"(1041)	24.5"(622)	26"(660)	18"(457)	22.5"(572)
0I-7250	250	505	951	4"(102)	37"(940)	10"(254)	90"(2286)	74"(1880)	47"(1194)	30"(762)	26"(660)	20"(508)	22.5"(572)
0I-7300	300	553	1011	6"(152)	38"(965)	10"(254)	96"(2438)	76"(1930)	48"(1219)	30.5"(775)	27"(686)	20"(508)	21.5"(546)
0I-7350	350	616	1129	6"(152)	39"(991)	10"(254)	100"(2540)	79"(2007)	49"(1245)	31.5"(800)	28"(711)	21"(533)	23.5"(597)
0I-7400	400	771	1423	6"(152)	42"(1067)	10"(254)	110"(2794)	83"(2108)	52"(1321)	34.5"(876)	30"(762)	23"(584)	22.75"(578)
0I-7500	500	1182	2222	6"(152)	53"(1346)	10"(254)	120"(3048)	91"(2311)	63"(1600)	45.5"(1156)	32"(815)	25"(635)	20.75"(527)



USA: T: (800) 338-2581 • Watts.com

Canada: T: (888) 208-8927 • Watts.ca

Latin America: T: (52) 55-4122-0138 • Watts.com

