

Engineering Specification

Job Name _____ Contractor _____

Job Location _____ Approval _____

Engineer _____ Contractor's P.O. No. _____

Approval _____ Representative _____

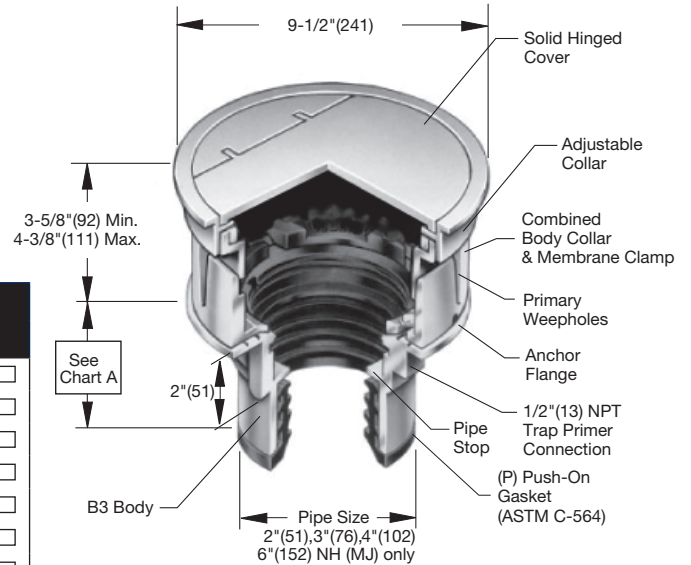
Tag _____

FD-320-25

Detention Area Drain with Tamper Resistant Hinged Cover

Specification

Watts FD-320-25 detention area floor drain with epoxy coated cast iron body, body collar and adjustable collar, nickel bronze frame, solid hinged nickel bronze cover with vandal proof screw, and no hub (MJ) (standard) outlet.



Pipe Sizing		
Suffix	Description	
2	2\"(51) Pipe Size	<input type="checkbox"/>
3	3\"(76) Pipe Size	<input type="checkbox"/>
4	4\"(102) Pipe Size	<input type="checkbox"/>
6	6\"(152) Pipe Size	<input type="checkbox"/>

Outlet Type		
Suffix	Description	
NH	No Hub (MJ)	<input type="checkbox"/>
P	Push On	<input type="checkbox"/>
T	Threaded Outlet	<input type="checkbox"/>
X	Inside Caulk	<input type="checkbox"/>

Optional Body Material		
Suffix	Description	
-60	PVC Body w/Socket Outlet	<input type="checkbox"/>
-61	ABS Body w/Socket Outlet	<input type="checkbox"/>

Options		
Suffix	Description	
-5	Sediment Bucket	<input type="checkbox"/>
-6	Vandal Proof	<input type="checkbox"/>
-8	Backwater Valve (3, 4\" Only)	<input type="checkbox"/>
-12	Galvanized Top	<input type="checkbox"/>
-13	All Galvanized	<input type="checkbox"/>
-15	Strainer Extension (DD-50)	<input type="checkbox"/>
-113M	Special Epoxy from 3M Range	<input type="checkbox"/>
-F4-50	4\" Round Cast Iron Funnel	<input type="checkbox"/>
-F4-1	4\" Round Nickel Bronze Funnel	<input type="checkbox"/>
-F6-1	6\" Round Nickel Bronze Funnel	<input type="checkbox"/>
-G-50	4x9\" Oval Cast Iron Funnel	<input type="checkbox"/>
-G-1	4x9\" Oval Nickel Bronze Funnel	<input type="checkbox"/>
-Z	Elastomeric Flange	<input type="checkbox"/>

Chart A					
Pipe Size	Std. No Hub	P Push On	T Female Thread	X Inside Caulk	60/61 PVC/ABS
2\"(51)	3 5/8\"(92)	4-1/4\"(108)	4-1/4\"(108)	4-1/2\"(114)	3-3/4\"(95)
3\"(76)	3 5/8\"(92)	4-1/4\"(108)	4-1/4\"(108)	4-1/2\"(114)	3-3/4\"(95)
4\"(102)	3 5/8\"(92)	4-1/4\"(108)	4-1/4\"(108)	4-1/2\"(114)	4\"(102)
6\"(152)	3-1/2\"(89)				

NOTICE

The information contained herein is not intended to replace the full product installation and safety information available or the experience of a trained product installer. You are required to thoroughly read all installation instructions and product safety information before beginning the installation of this product.

Watts product specifications in U.S. customary units and metric are approximate and are provided for reference only. For precise measurements, please contact Watts Technical Service. Watts reserves the right to change or modify product design, construction, specifications, or materials without prior notice and without incurring any obligation to make such changes and modifications on Watts products previously or subsequently sold.



USA: T: (800) 338-2581 • Watts.com
Canada: T: (888) 208-8927 • Watts.ca
Latin America: T: (52) 55-4122-0138 • Watts.com