

Engineering Specification

Job Name _____

Contractor _____

Job Location _____

Approval _____

Engineer _____

Contractor's P.O. No. _____

Approval _____

Representative _____

Tag _____

FD-100-C-L Floor Drain With Square Heavy Duty Strainer Specification

Watts FD-100-C-L epoxy coated cast iron floor drain with anchor flange, reversible membrane clamp with primary and secondary weepholes, 1/2"(13) thick reinforced (specify size) adjustable square nickel bronze (standard) strainer, and no hub (MJ) (standard) outlet.

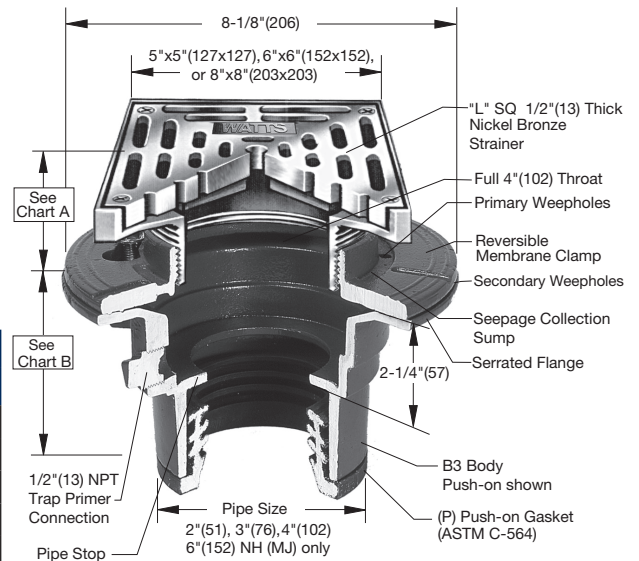
Pipe Sizing		
Suffix	Description	
2	2"(51) Pipe Size	<input type="checkbox"/>
3	3"(76) Pipe Size	<input type="checkbox"/>
4	4"(102) Pipe Size	<input type="checkbox"/>
6	6"(152) Pipe Size	<input type="checkbox"/>

Outlet Type		
Suffix	Description	
NH	No Hub (MJ)	<input type="checkbox"/>
P	Push On	<input type="checkbox"/>
T	Threaded Outlet	<input type="checkbox"/>
X	Inside Caulk	<input type="checkbox"/>

Strainer		
Suffix	Description	
L5-1	5" x 5"(127x127), Nickel Bronze	<input type="checkbox"/>
L5-4	5" x 5" (127x127), Ductile Iron	<input type="checkbox"/>
L6-1	6" x 6" (152x152), Nickel Bronze	<input type="checkbox"/>
L8-1	8" x 8" (203x203), Nickel Bronze	<input type="checkbox"/>

Options		
Suffix	Description	
-5	Sediment Bucket	<input type="checkbox"/>
-6	Vandal Proof	<input type="checkbox"/>
-8	Backwater Valve (3, 4" Only)	<input type="checkbox"/>
-12	Galvanized Top	<input type="checkbox"/>
-13	All Galvanized	<input type="checkbox"/>
-15	Strainer Extension (DD-50)	<input type="checkbox"/>
-113M	Special Epoxy from 3M Range	<input type="checkbox"/>
-F4-50	4" Round Cast Iron Funnel	<input type="checkbox"/>
-F4-1	4" Round Nickel Bronze Funnel	<input type="checkbox"/>
-F6-1	6" Round Nickel Bronze Funnel	<input type="checkbox"/>
-G-50	4x9" Oval Cast Iron Funnel	<input type="checkbox"/>
-G-1	4x9" Oval Nickel Bronze Funnel	<input type="checkbox"/>
-S0	Side Outlet	<input type="checkbox"/>
-Z	Elastomeric Flange	<input type="checkbox"/>

Optional Body Material		
Suffix	Description	
-60	PVC Body w/Socket Outlet	<input type="checkbox"/>
-61	ABS Body w/Socket Outlet	<input type="checkbox"/>



Str. Dia.	Min.	Max.	Load Rating	Free Area Sq. In.
5" x 5" (127)	13/16"(21)	2 1/2"(64)	*XHD	9
6" x 6" (152)	7/8" (22)	2 3/4" (70)	*HD	12
8" x 8" (203)	1" (25)	2-1/4" (57)	*HD	26

Pipe Size	Std. No Hub	P Push On	T Female Thread	X Inside Caulk	60/61 PVC/ABS
2"(51)	3 5/8"(92)	4 1/4"(108)	4 1/4"(108)	4 1/2"(114)	3-3/4"(95)
3"(76)	3 5/8"(92)	4 1/4"(108)	4 1/4"(108)	4 1/2"(114)	3-3/4"(95)
4"(102)	3 5/8"(92)	4 1/4"(108)	4 1/4"(108)	4 1/2"(114)	4"(102)
6"(152)	3 1/2"(89)				

NOTICE

The information contained herein is not intended to replace the full product installation and safety information available or the experience of a trained product installer. You are required to thoroughly read all installation instructions and product safety information before beginning the installation of this product.

NOTICE

* The load classifications are in accordance with the American National Standards ASME A112.21.1M
 ASME Ratings are as follows:
 HD - Safe Live Load 5000-749 9lbs.(2250-3375kg)
 XHD - Safe Live Load 7500-10000 lbs.(3375-4500kg)
 The above categories are given as a guide only.
 Please consult factory.

Watts product specifications in U.S. customary units and metric are approximate and are provided for reference only. For precise measurements, please contact Watts Technical Service. Watts reserves the right to change or modify product design, construction, specifications, or materials without prior notice and without incurring any obligation to make such changes and modifications on Watts products previously or subsequently sold.



USA: T: (800) 338-2581 • Watts.com
 Canada: T: (888) 208-8927 • Watts.ca
 Latin America: T: (52) 55-4122-0138 • Watts.com