

Engineering Specification

Job Name _____
 Job Location _____
 Engineer _____
 Approval _____

Contractor _____
 Approval _____
 Contractor's P.O. No. _____
 Representative _____

ISCA-101-D

Industry Standard Back-to-Back Horizontal Adjustable Closet Carrier



Specification

Watts ISCA-101-D Industry Standard back-to-back horizontal adjustable water closet carrier with epoxy coated cast iron fitting, 4" no hub waste and 2" no hub vent connections, epoxy coated cast iron patented compression seal faceplate assembly, and epoxy coated cast iron foot supports with incremental height markings. Adjustable for standard and wheelchair height, adjustable ABS nipple with integral test cap and neoprene bowl gasket, plated hardware and chrome cap nuts. Carrier complies with requirements of ASME A112.6.1.M up to a 500 lb. static load.

Call customer service if you need assistance with technical details.

Options	
Suffix	Description
-36	36" Long Barrel Fitting
-AUX	Auxiliary Inlet
-BF	Assembly for Back Outlet Bowl
-CA-100-EXT	Aux. Support System w/ Extended Nipple
-M1	ABS Extended Nipple (Up to 24")
-M11	Tiling Frame
-M20	Flush Valve Support

x = 5 3/4" (146) Maximum w/Standard Nipple

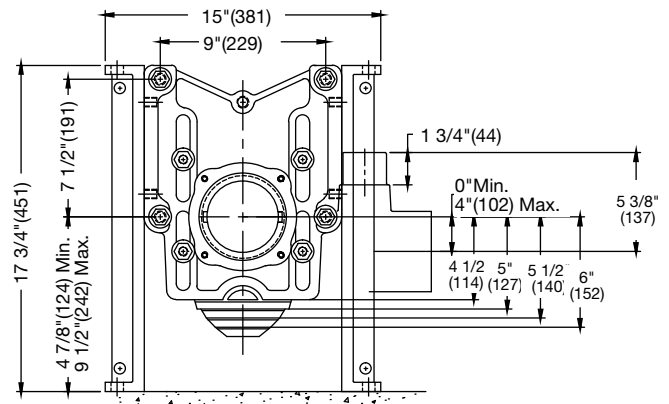
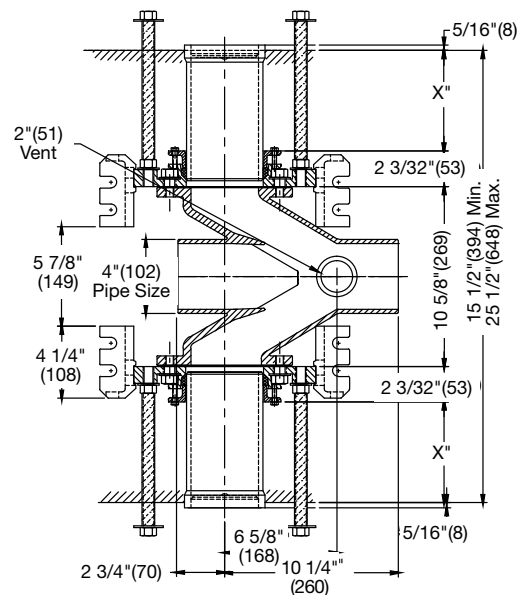
NOTICE

Anchor legs to concrete floor with minimum 1/2"(13) bolts (by others).

Dual slotted carrier feet require one 1/2"(13) anchor bolt per foot.

NOTICE

The information contained herein is not intended to replace the full product installation and safety information available or the experience of a trained product installer. You are required to thoroughly read all installation instructions and product safety information before beginning the installation of this product.



Watts product specifications in U.S. customary units and metric are approximate and are provided for reference only. For precise measurements, please contact Watts Technical Service. Watts reserves the right to change or modify product design, construction, specifications, or materials without prior notice and without incurring any obligation to make such changes and modifications on Watts products previously or subsequently sold.



USA: T: (800) 338-2581 • Watts.com
 Canada: T: (888) 208-8927 • Watts.ca
 Latin America: T: (52) 55-4122-0138 • Watts.com