

# Engineering Specification

Job Name \_\_\_\_\_

Contractor \_\_\_\_\_

Job Location \_\_\_\_\_

Approval \_\_\_\_\_

Engineer \_\_\_\_\_

Contractor's P.O. No. \_\_\_\_\_

Approval \_\_\_\_\_

Representative \_\_\_\_\_

## Dead Level® DX Pre-Sloped Polypropylene Trench Drain System w/Ductile Iron Frame



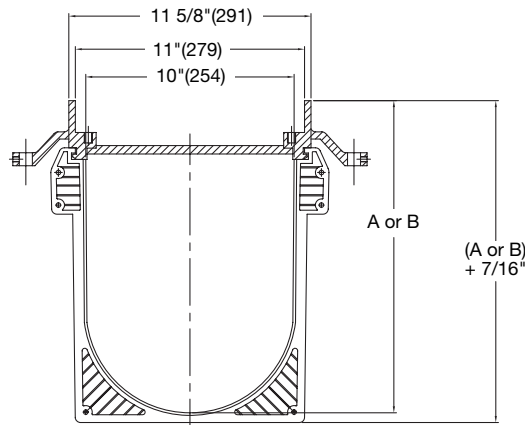
### Specification

Watts Dead Level® DX Pre-Sloped Trench Drain System with 12" wide x 48" long (standard) ductile iron frame, UV stabilized talc-filled polypropylene channels with 6" no hub bottom or end outlet(s). System shall be frame-anchored, with (specify) grating to suit DIN Class (specify) load rating. System to include frame connectors, grate lock-downs, and construction covers. Installation to be performed in accordance with manufacturer's installation instructions.

Call customer service if you need assistance with technical details.

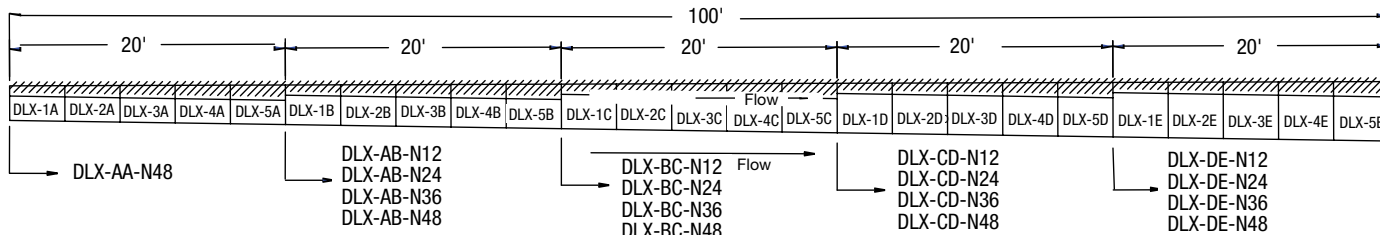
| Options |   |                          |
|---------|---|--------------------------|
| Suffix  | Description   |                          |
| -B24    | 24" x 24" x 24" Catch Basin w/DI Grate                | <input type="checkbox"/> |
| -B24T   | 24" x 24" x 24" Catch Basin w/DI Grate & Trash Basket | <input type="checkbox"/> |
| -B24SS  | 24" x 24" x 24" Catch Basin w/SS Grate                | <input type="checkbox"/> |
| -B24SST | 24" x 24" x 24" Catch Basin w/SS Grate & Trash Basket | <input type="checkbox"/> |
| -FG     | Galvanized Steel Frame Guard                          | <input type="checkbox"/> |
| -FS     | Stainless Steel Frame Guard                           | <input type="checkbox"/> |
| -OS     | Outlet Strainer                                       | <input type="checkbox"/> |
| -VP     | Vandal Proof Grate Lock-Downs                         | <input type="checkbox"/> |

| Grate Options |                                       |                                  |
|---------------|---------------------------------------|----------------------------------|
| Suffix        | Description                           | Class                            |
| -DI           | Ductile Iron                          | Class F <input type="checkbox"/> |
| -DI-ADA       | Ductile Iron ADA                      | Class F <input type="checkbox"/> |
| -GDI          | Galvanized Ductile Iron               | Class F <input type="checkbox"/> |
| -RGP          | Reinforced Galvanized Perforated      | Class E <input type="checkbox"/> |
| -RGS          | Reinforced Galvanized Slotted         | Class E <input type="checkbox"/> |
| -RSP          | Reinforced Stainless Steel Perforated | Class E <input type="checkbox"/> |
| -RSS          | Reinforced Stainless Steel Slotted    | Class E <input type="checkbox"/> |
| -SCI          | Solid Cast Iron                       | Class F <input type="checkbox"/> |



### NOTICE

The information contained herein is not intended to replace the full product installation and safety information available or the experience of a trained product installer. You are required to thoroughly read all installation instructions and product safety information before beginning the installation of this product.



Watts product specifications in U.S. customary units and metric are approximate and are provided for reference only. For precise measurements, please contact Watts Technical Service. Watts reserves the right to change or modify product design, construction, specifications, or materials without prior notice and without incurring any obligation to make such changes and modifications on Watts products previously or subsequently sold.



USA: T: (800) 338-2581 • Watts.com  
 Canada: T: (888) 208-8927 • Watts.ca  
 Latin America: T: (52) 55-4122-0138 • Watts.com

