

# Engineering Specification

Job Name \_\_\_\_\_  
 Job Location \_\_\_\_\_  
 Engineer \_\_\_\_\_  
 Approval \_\_\_\_\_

Contractor \_\_\_\_\_  
 Approval \_\_\_\_\_  
 Contractor's P.O. No. \_\_\_\_\_  
 Representative \_\_\_\_\_

## QT-102-L/R QT QuickTurn™ 1000 lb. Single Horizontal Adjustable Closet Carrier Specification

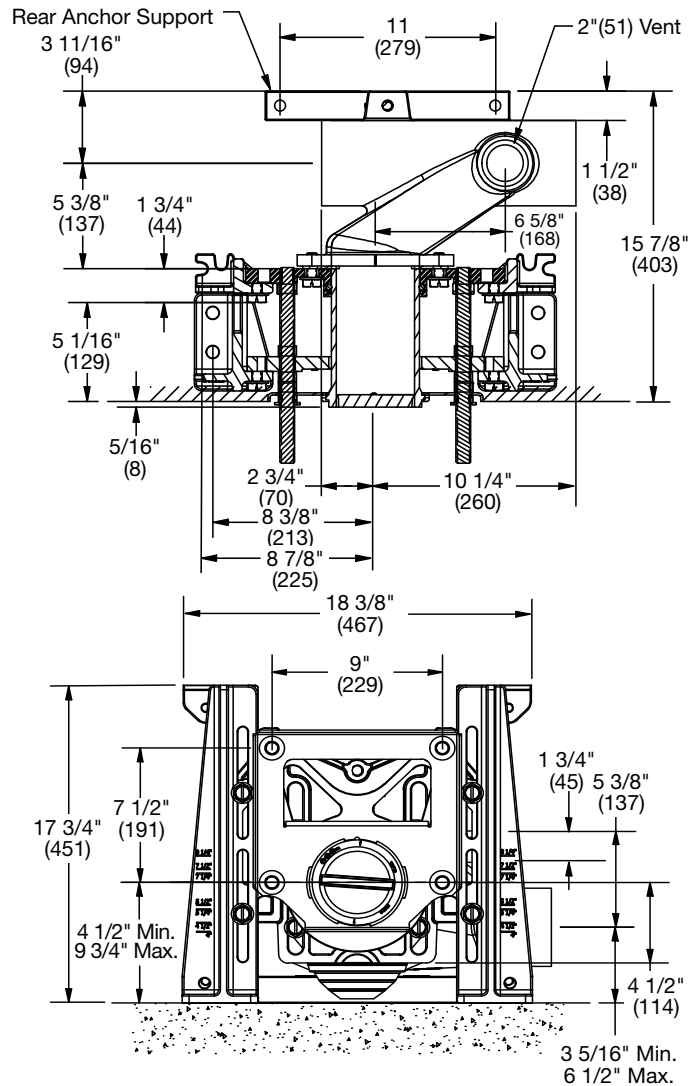
Watts QT-102-L/R single horizontal adjustable water closet carrier with epoxy coated cast iron fitting, 4" no hub waste and 2" no hub vent connections, epoxy coated cast iron patented faceplate assembly, epoxy coated cast iron foot supports with incremental height markings, and rear anchor bar. Adjustable for standard and wheelchair height, adjustable ABS nipple with integral test cap and neoprene bowl gasket, stainless steel support rods and chrome cap nuts. Carrier complies with the requirements of ASME A112.6.1M up to a 1000 lb. static load.

Call customer service if you need assistance with technical details.

Options	
Suffix	Description
-3	3" No Hub Fitting
-36	36" Long Barrel Fitting
QT-100-EXT	Aux. Support System w/ Extended Nipple
-HS	Hub & Spigot Connections
-CA-N8-50-QT	8" Cast Iron Nipple
-CA-N24-50-QT	24" Cast Iron Nipple
-T	Threaded Nipple (Removes Tiling Plate)



QT-102-L Shown



### NOTICE

Anchor legs and rear anchor bar to concrete floor with minimum 1/2"(13) anchor bolts (by others).

Front carrier feet with holes require two 1/2"(13) anchor bolts per foot. Rear slotted carrier feet require minimum one 1/2"(13) anchor bolt per foot.

### NOTICE

The information contained herein is not intended to replace the full product installation and safety information available or the experience of a trained product installer. You are required to thoroughly read all installation instructions and product safety information before beginning the installation of this product.

Watts product specifications in U.S. customary units and metric are approximate and are provided for reference only. For precise measurements, please contact Watts Technical Service. Watts reserves the right to change or modify product design, construction, specifications, or materials without prior notice and without incurring any obligation to make such changes and modifications on Watts products previously or subsequently sold.



USA: T: (800) 338-2581 • Watts.com  
 Canada: T: (888) 208-8927 • Watts.ca  
 Latin America: T: (52) 55-4122-0138 • Watts.com